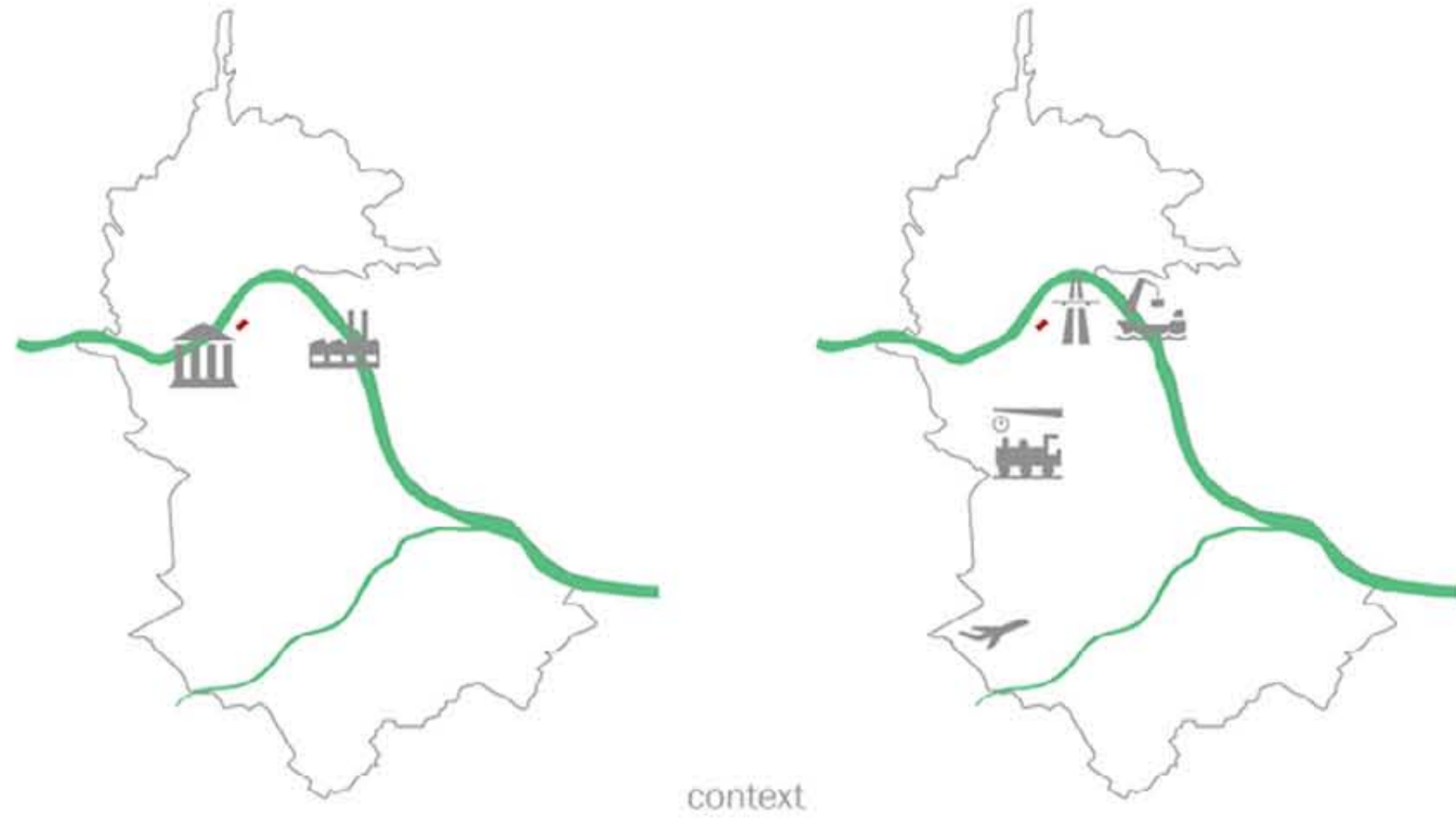


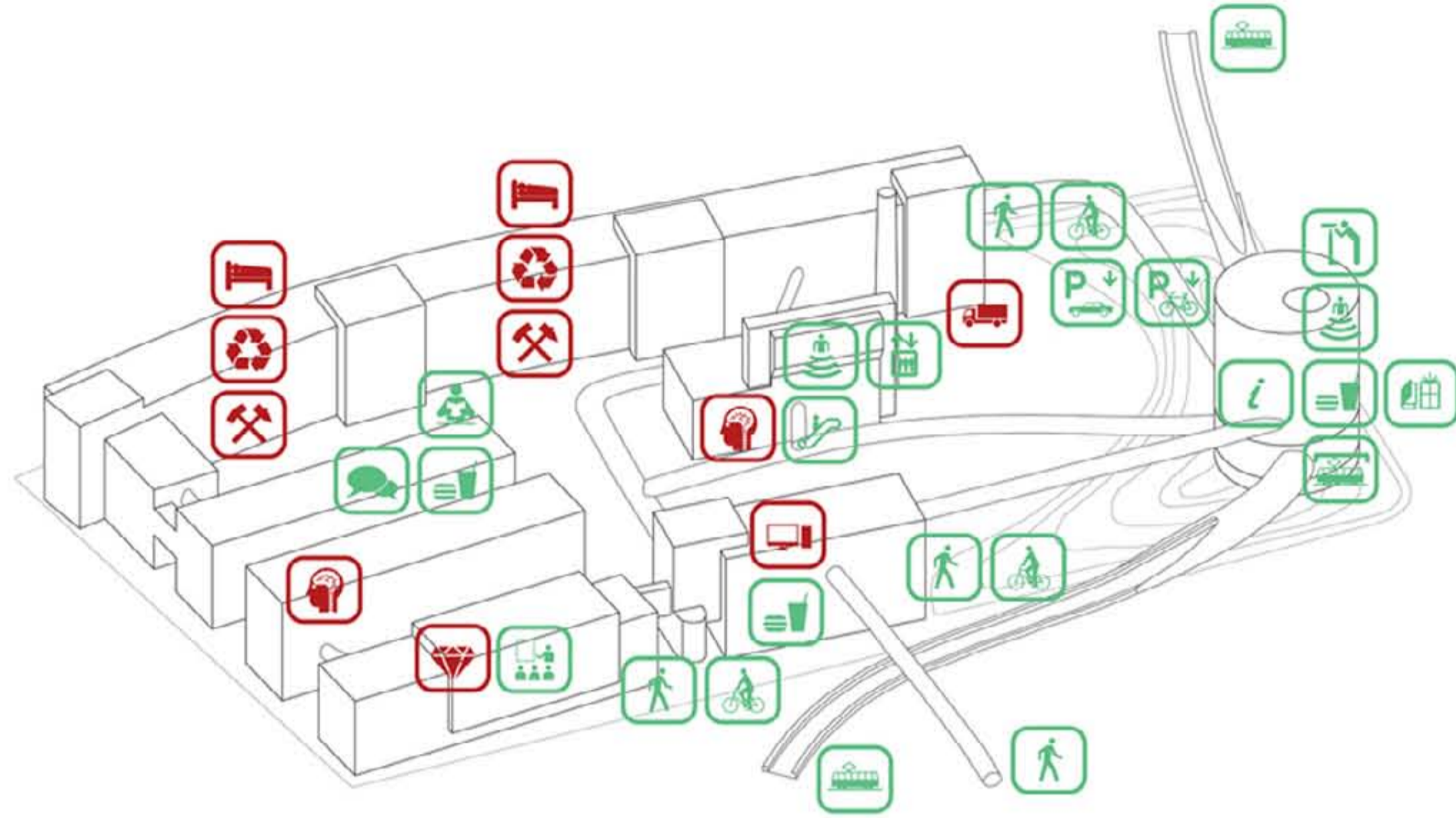
**REUSE?
RECYCLE?**

- * education to reuse and recycle
- * temporary housing
- * culture and leisure activities

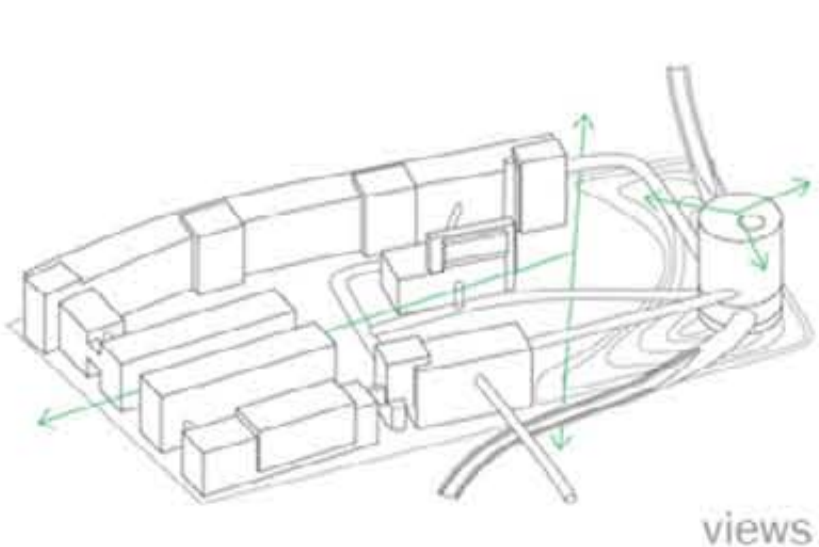
On a daily basis every one of us uses various technologies for work or managing our social network. The frequency and habits of using these technologies have in turn disconnected us from the impact on the environment and social interaction. This can be seen from the consumption of energy and socio-economic consequences relating to the extraction of raw materials (located in volatile geo-political nations); to the companies, which recycle electronic components that are focused solely on economic profit without any concerns for health regulations.



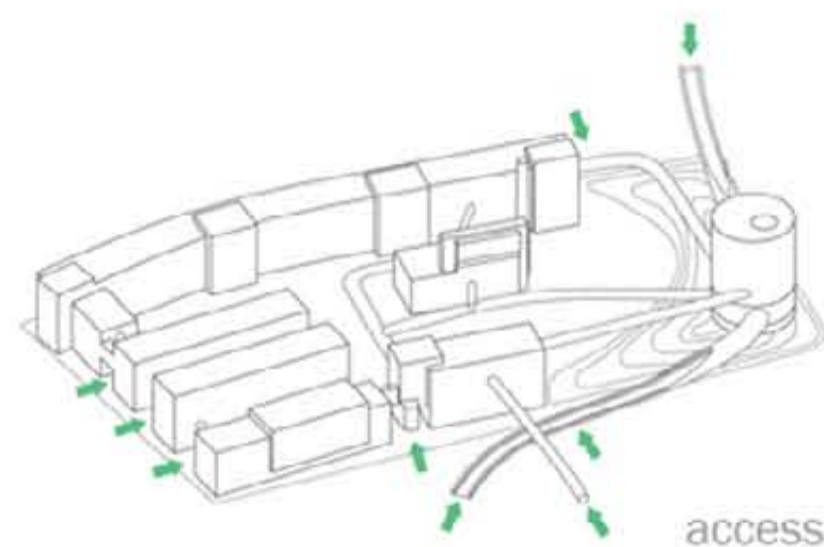
context



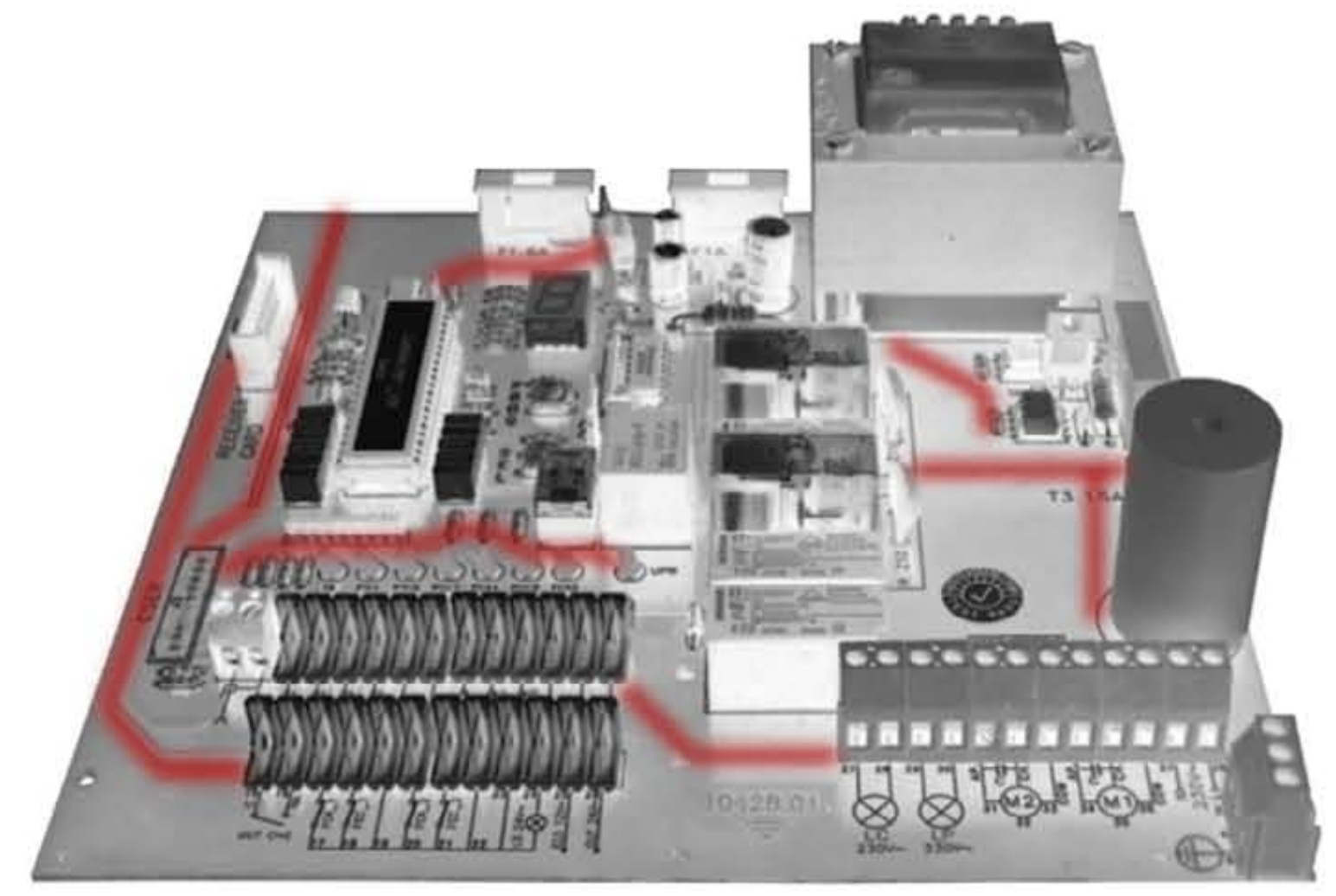
- | | | |
|--------------|-----------------|------------------|
| PUBLIC views | pedestrian | PRIVATE storage |
| auditorium | tram | disassembly.LAB |
| food | bicycle | reuse.LAB |
| shop | sliding stairs | recycle.LAB |
| info | elevator | creative work |
| library | bicycle parking | commercial reuse |
| relax | car parking | temporary living |
| edutainment | tram station | |



views



access



concept

site

demolition

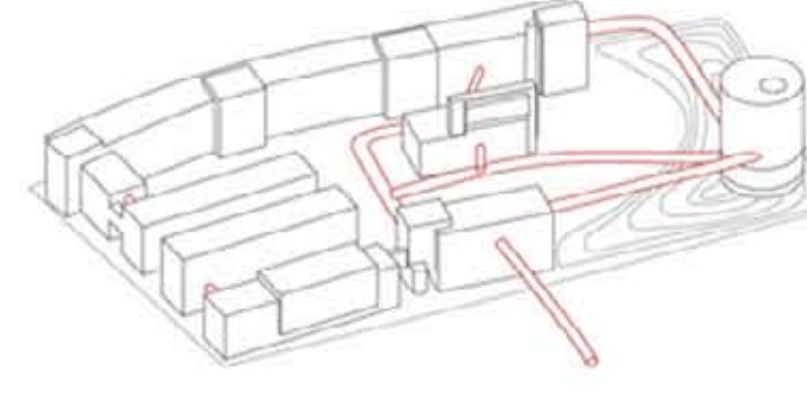
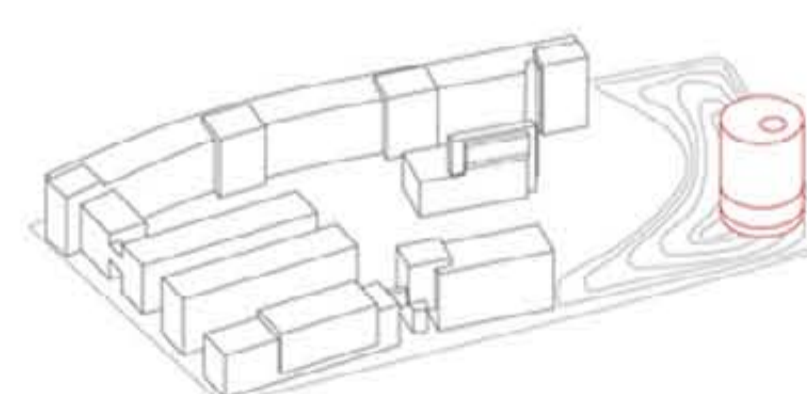
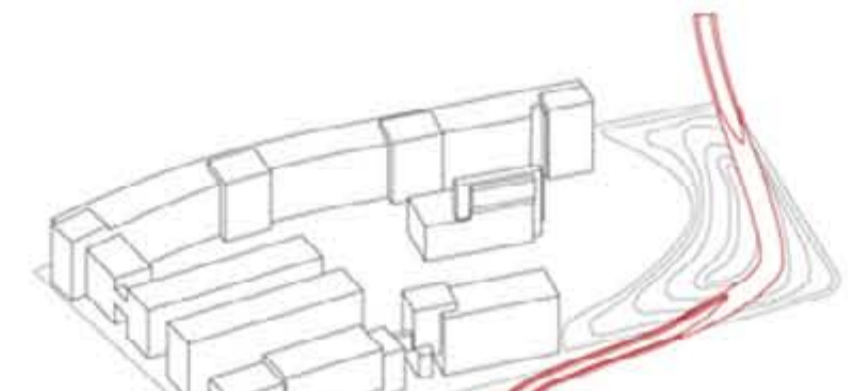
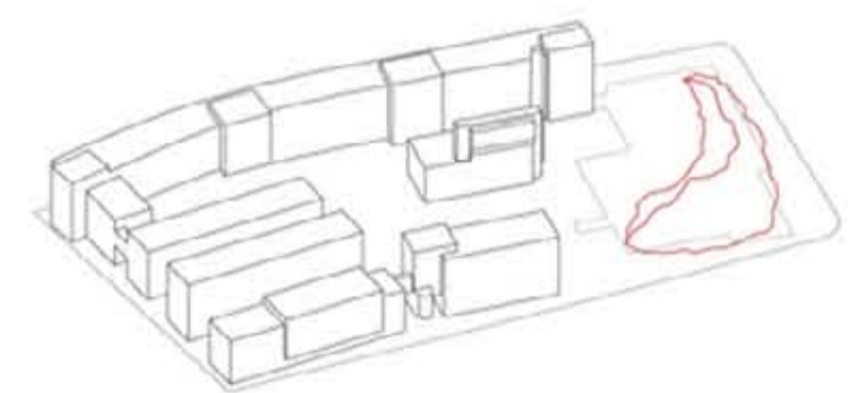
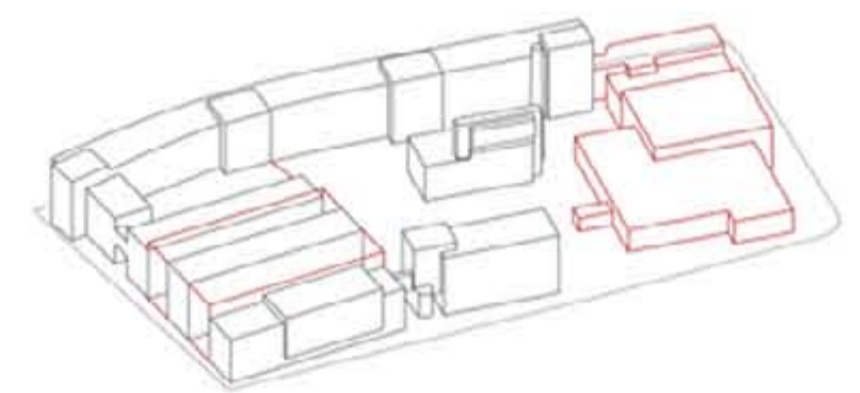
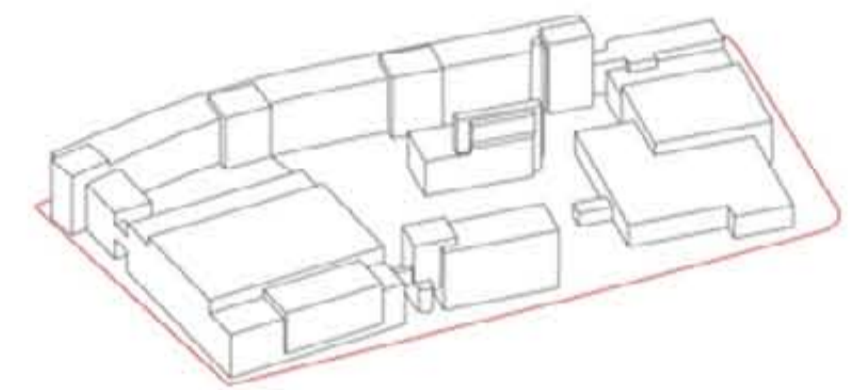
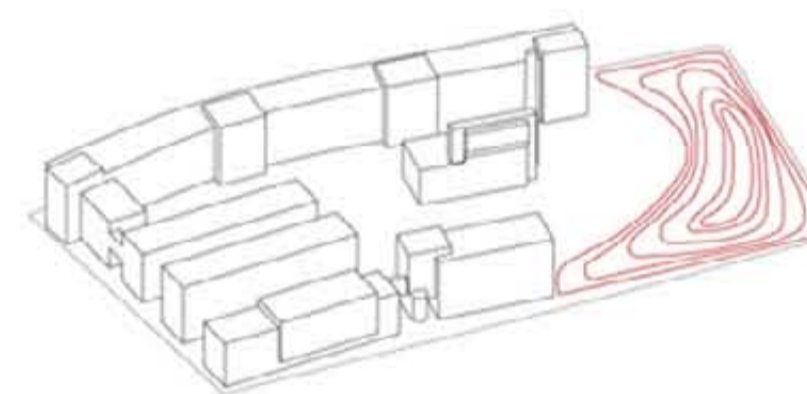
rubble

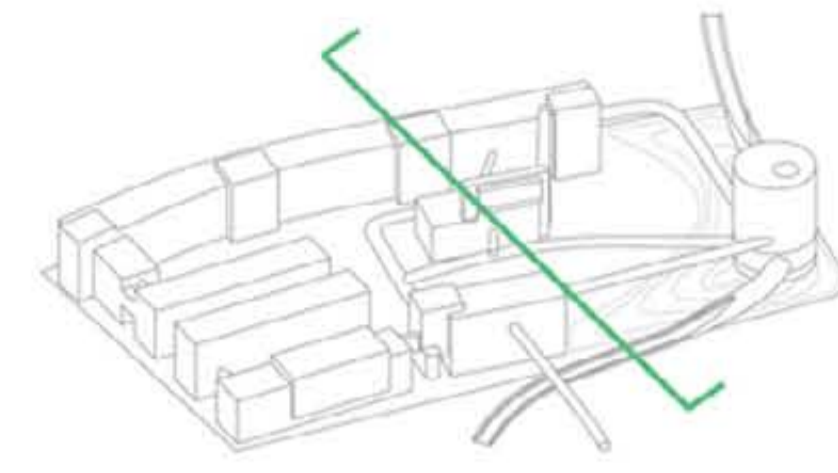
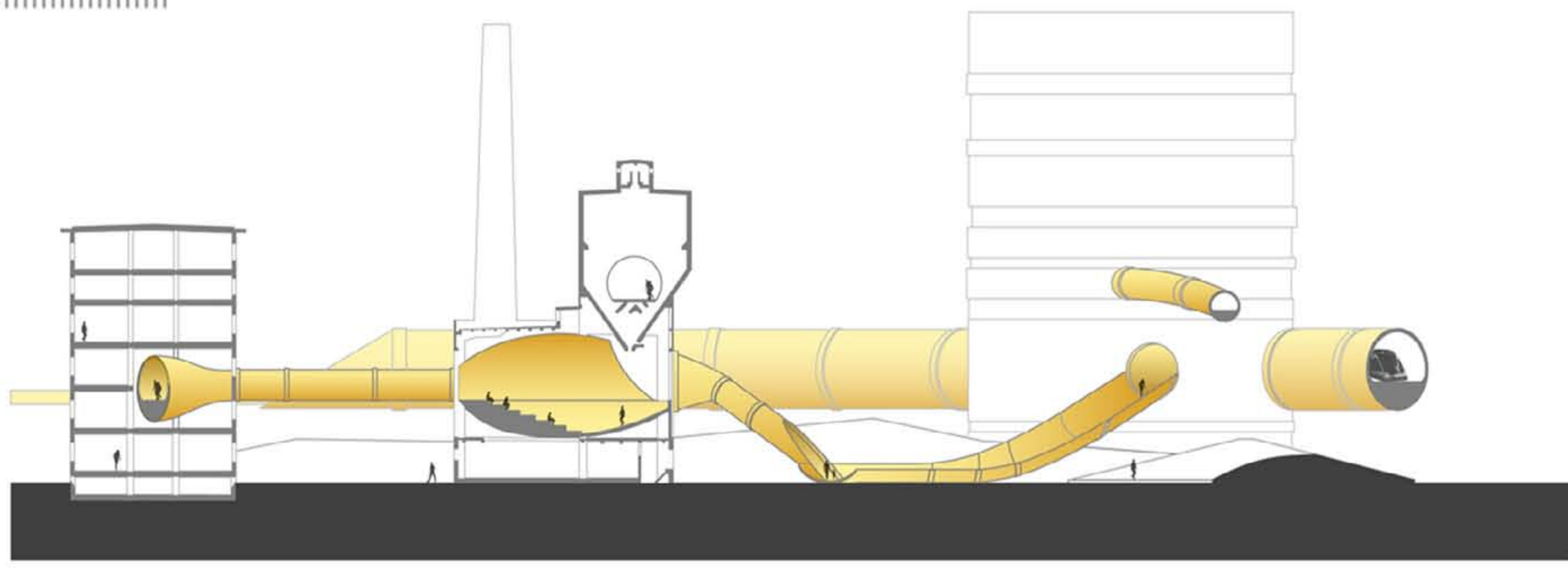
green hill

new tram line

new building

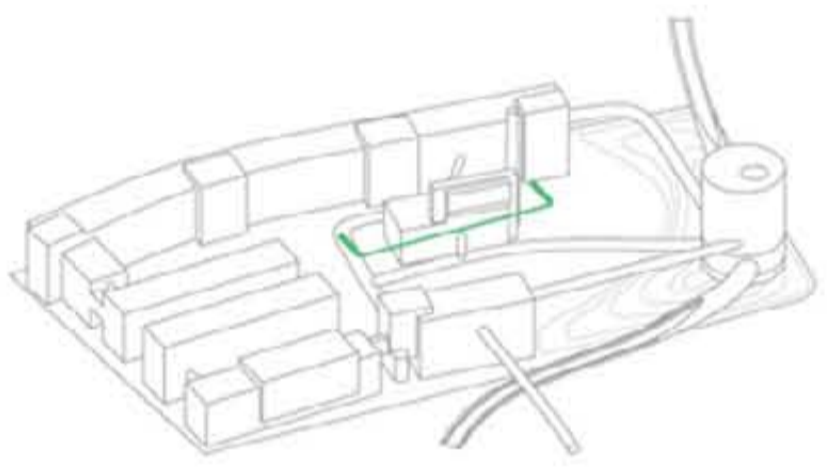
aerial walkways





section 1:500

0 5 10 25 50 m



section 1:200

0 2 4 10 20 m

